

[Home](#) [Profile](#) [Products](#) [Distributors](#) [Support](#) [Contact](#) [Languages](#)

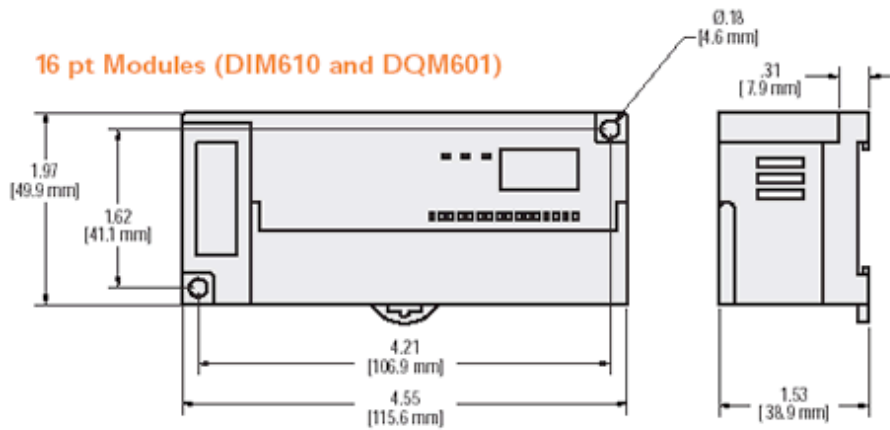
[Home](#) : [Html](#) : [Products](#) : [Smartstix](#) : Horner Europe - Products: SmartStix I/O

SmartStix Selection Table

Description	Profibus	CsCAN	DeviceNet
	GENERAL	GENERAL	GENERAL
Digital Modules, Removable Terminal Strip			
16 DC Inputs (24vdc, pos/neg logic).	HE459DIM610	HE559DIM610	HE409DIM610
32 DC Inputs (24vdc, pos/neg logic).	HE459DIM710	HE559DIM710	HE409DIM710
16 DC Outputs (24vdc, 0.5A, Sourcing)	HE459DQM606	HE559DQM606	HE409DQM606
32 DC Outputs (24vdc, 0.5A, Sourcing)	HE459DQM706	HE559DQM706	HE409DQM706
16 DC Inputs / 16 DC Outputs (24vdc, 0.5A, Sourcing)	HE459DIQ816	HE559DIQ816	HE409DIQ816
16 Relay Outputs, 2 Amp Maximum	HE459DQM602	HE559DQM602	HE409DQM602
Analog Modules, Removable Terminal Strip			
12 Analog Inputs (+/-10v, +/-20mA, 14 bit resolution)	n/a	HE559ADC970	HE409ADC970
8 Analog Outputs (0-10v, 0-20mA, 14 bit resolution)	n/a	HE559DAC207	HE409DAC207
8 Analog Inputs (+/-10v, +/-20mA, 14 bit resolution) 4 Analog Outputs (0-10v, 0-20mA, 14 bit resolution)	n/a	HE559MIX977	HE409MIX977
4 Analog Inputs (+/-10v, +/-20mA, 14 bit resolution) 2 Analog Outputs (0-10v, 0-20mA, 14 bit resolution)	n/a	n/a	n/a
Analogue Smartstix Programming Guide - Click Here			

Dimensions

16 pt Modules (DIM610 and DQM601)



32 pt Modules (DIM710, DQM701, DQM602 and DIQ811)

